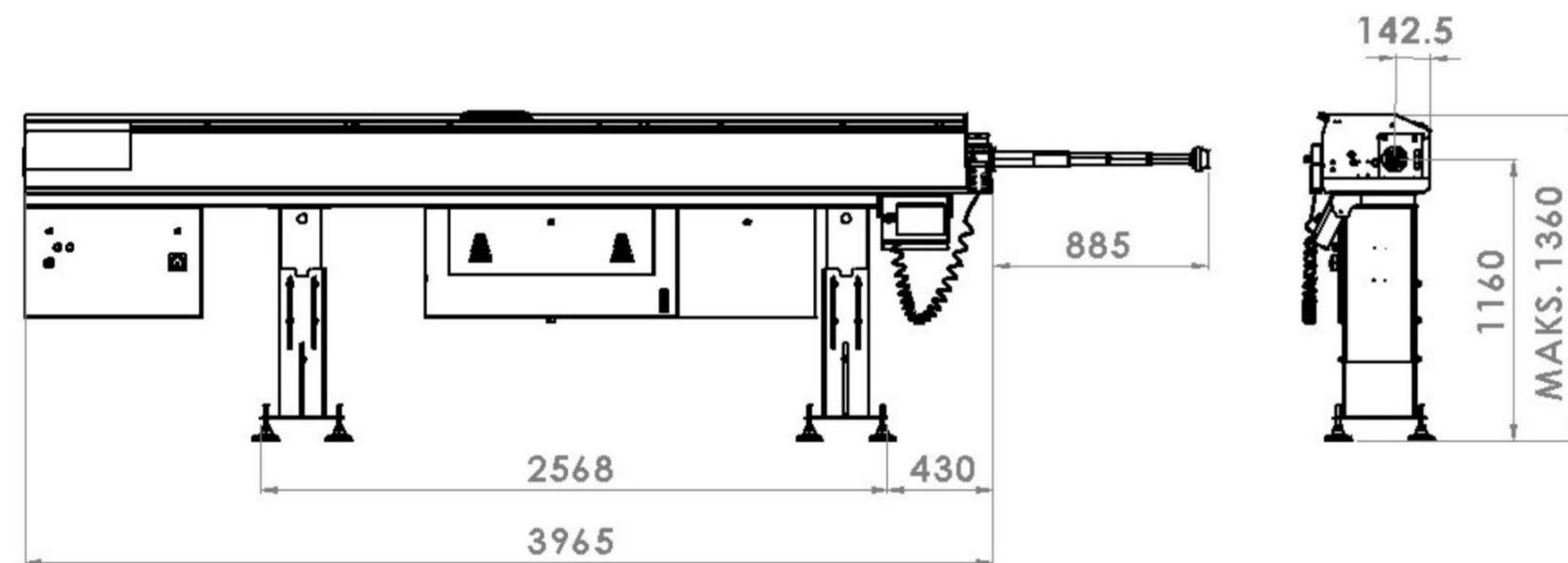
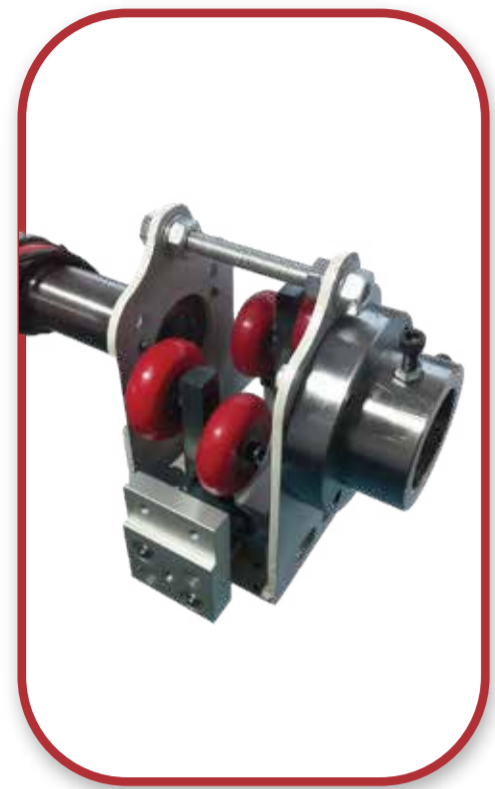


HEROSBAR 20

MAXIMUM ROD LENGHT	3025 mm
MACHINE WEIGHT	650 kg
PROCESSING DIAMETER	3-23 mm
MACHINE LENGHT	3965 mm
MACHINE MIN - MAX. WEIGHT	1120 mm - 1260 mm
AIR LINE	8 bar
ENERGY SUPPORT	3x220 V
OIL TANK	45 L
OIL QUALITY	OIL-68 No Hydraulic
WORKING SYSTEM	SERVO MOTOR
BED DIAMETERS	3-10 mm / 10-23 mm
PUSHING SHAFT LENGHT	1640 mm



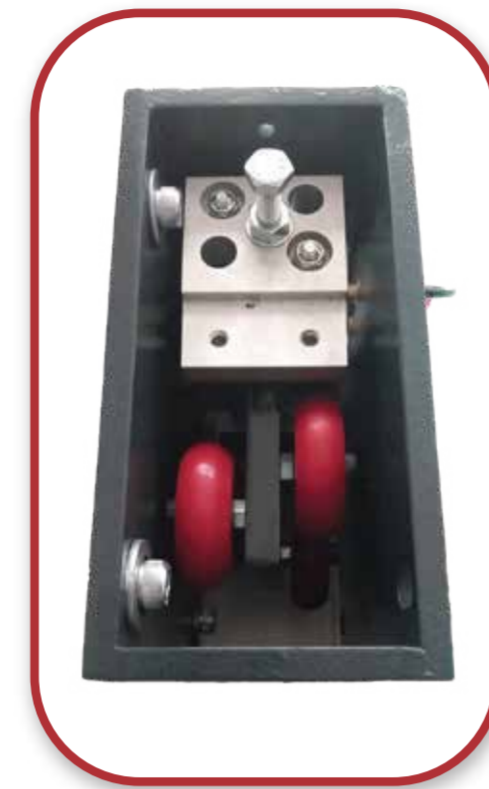
HEROSBAR 20



With the Anti-vibration system mounted on the spindle, it takes the vibration of the rotating rod and enables the rod to rotate in the center with high precision.



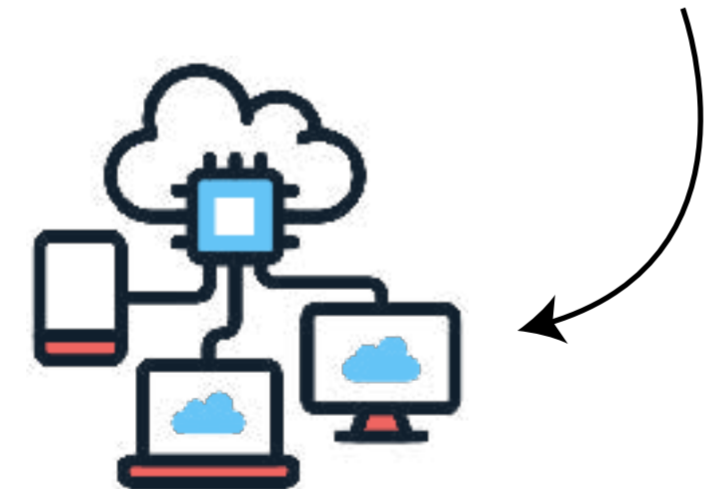
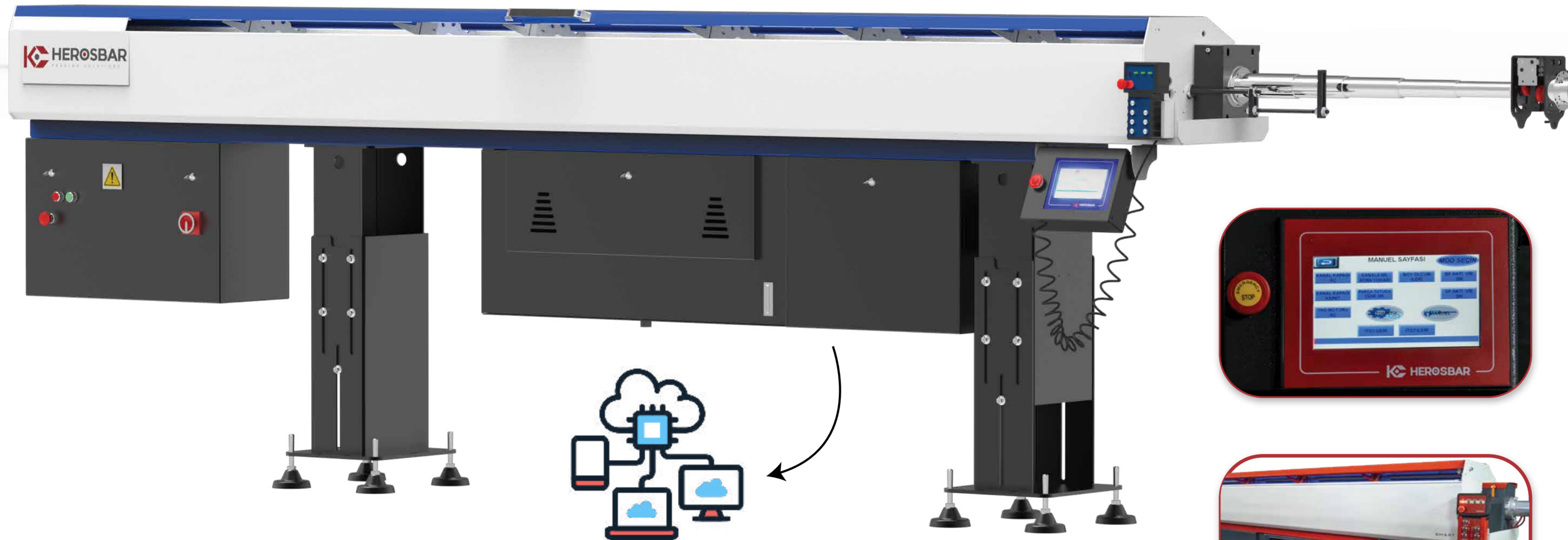
Long-lasting, standard products are used on the Smc brand pneumatic system and pressure control is made with a digital indicator.



It is used to take the vibration on the rotating Rod with the Anti-vibration system on the Barfeeder and to make it rotate in the center.



It provides ease of use with IP 67 metal button control and consists of standard products.



Remote Internet Connections



You can use and code easily with 7 inch touch screen. Also, even if your remote is broken or malfunctioning, you can use this screen as a remote.



You can keep your duct sets, collet sets and hand tools with the spare material cabinet.